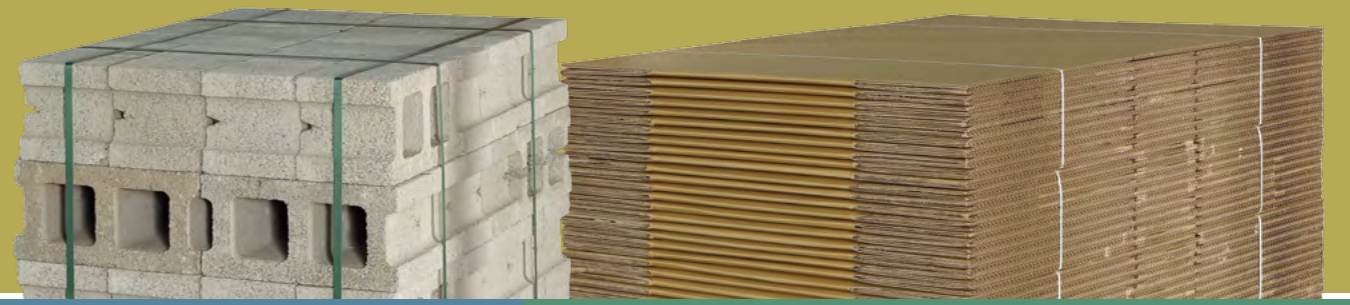


PALLET STRAPPING MACHINES



Transpak Pallet Strapping Machines



Fully Automatic Machines

Semi-Auto Machines

Strapping Heads



TP-733VLM

- For vertical strapping applications (side-seal)
- ARES TP-733-SH strapping head
- Simple and quick connection to the master control system
- For 12 mm, 15.5 mm, or 19 mm **PP and PET** strapping with tension force up to 3200 N (320 kg)
- Index strapping head with stroke up to 500 mm
- Movable strap lance
- **Friction weld sealing technology**
- Swivel dispenser set provides more flexibility for plant configuration
- Capacity up to 72 pallets per hour (double parallel straps)



TP-733H

- For horizontal strapping applications
- ARES TP-733-SH strapping head
- For 12 mm, 15.5 mm, or 19 mm **PP and PET** strapping with tension force up to 3200 N (320 kg)
- Index strapping head with stroke up to 300 mm
- **Friction weld sealing technology**
- Swivel dispenser set provides more flexibility for plant configuration
- Preprogram setting for multiple strapping patterns
- Capacity up to 60 pallets per hour (3 parallel straps)

TP-502MV

- For vertical strapping applications
- Compact mechanical strapping head
- For 9 mm, 12 mm, or 15.5 mm PP strapping
- Electronic tension control
- Enable to strap pallet with height as low as 380 mm
- Easy to move the light and compact machine beside the pallet



TP-502MH

- For horizontal strapping applications
- Compact mechanical strapping head
- For 9 mm, 12 mm, or 15.5 mm PP strapping
- Electronic tension control
- Adjustable strapping height from 170 mm to 2200 mm above the floor



TP-733-SH

- **Friction weld sealing technology**
- For 12 mm, 15.5 mm, or 19 mm PP and PET strapping
- Free access to strap guides
- Tension force up to 3,200 N (320 kg)



TP-601YPT-SH

- **Friction weld sealing technology**
- For 9 mm, 12 mm, or 15.5 mm PP and PET strapping
- Tension force up to 1,500 N (150 kg)



TP-601D-SH

- **Heat sealing**
- For 9 mm or 12 mm PP strapping
- Tension force up to 700 N (70 kg)

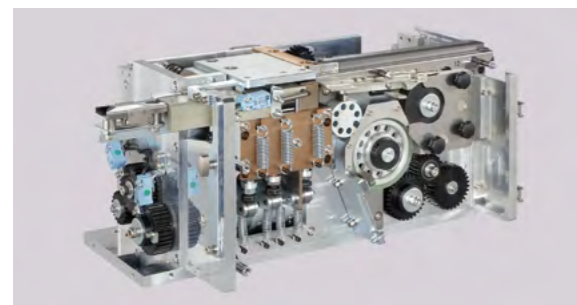
Pollux III TP-733VLM

Fully Automatic Vertical Pallet Strapping Machine (side-seal)

TP-733VLM is your best choice for fully automatic operation in various pallet strapping applications. The enhanced TP-733VLM maximizes the productivity by applying straps consistently and accurately on the pallet load, and minimizes the production cost by its high-speed and stable operation. Designed for simple and quick connection to the master control system, TP-733VLM can easily fit in all different end-of-line packaging sectors.

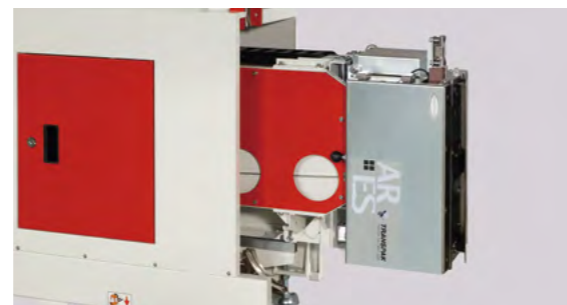


Main Features



ARES TP-733-SH Strapping Head

Use the latest German-made DC brushless motor technology to provide the highest level of accuracy and reliability. Without belts and pulleys, its compact design greatly minimizes the numbers of moving parts and maintenance cost.



Index Strapping Head

The strapping head moves toward the package with stroke up to 500 mm during the strapping cycle. It provides the maximum strap containment efficiency to secure packages.



Siemens PLC and HMI

The Siemens PLC and HMI provide easy adjustments, operation instructions, troubleshooting guides, and real-time sensor status display.



Movable Strap Lance

Feeding the strap through the pallet void ensures the best strapping quality on palletized goods.

More Features

Friction Weld Sealing Technology

The advanced friction weld sealing technology guarantees reliable joint and high sealing efficiency for both PP and PET strapping. Tension force is up to 3200 N (320 kg). No fumes and odours. Ready to use once turned on.

Swivel Dispenser Set

The dispenser set can be mounted freely at preferred positions. It provides more flexibility for plant configuration.

Free Access to Strap Guides

Quick access to the strap guides without using any tools. The most maintenance friendly design.

Modular Arch

Modular arch design makes it easy to change the arch size.

Adjustable Sealing and Cooling Time

The sealing time and cooling time are adjustable. It guarantees high sealing efficiency.

Strap End Ejector

Eject end of strap automatically from the inlet of strap feeding. Easy to clean the end of strap and get the machine ready for next coil of strap.

Easy to Retrofit

The compact and advanced design makes it easily to retrofit a spare strapping head. It can greatly minimize downtime.

Models

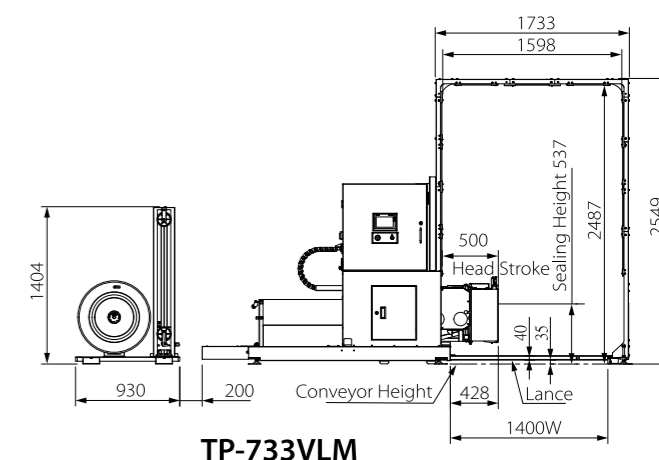
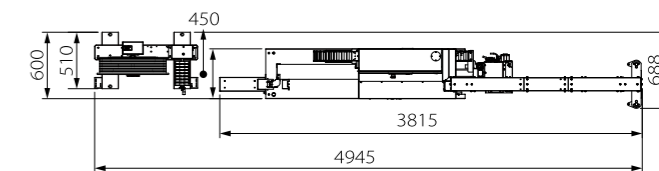
TP-733V fixed head, closed strap track

TP-733VM index head, closed strap track

TP-733VLM index head, movable lance

Options

- Floating head
- Index head stroke up to 700 mm
- Free standing operation desk
- Light tower with low strap sensor
- Dual channel E-Stop
- Lower tension range (200 - 1200 N)
- Top press (200 kg or 500 kg)
- HMI mounted on the opposite side
- Uplifted support



Arch Sizes

H \ W	1000	1400	1600	2000	2400*
1250					
1650					
2050					
2450		Ⓢ			
2850					N/A
3250					N/A

Ⓢ Standard size: 1400 mm (W) x 2450 mm (H)

* Arch width 2400 mm is only available on TP-733V and TP-733VM

• N/A means not available

Technical Data

Capacity	Up to 72 pallets/hour (double parallel straps)
Strap Type	PP and PET strapping
Strap Width	12 mm, 15.5 mm, or 19 mm
Tension Range	1,100 - 3,200 N (standard) 200 - 1,200 N (option)
Strap Core Size	406 mm
Electrical Requirements	220V, 380V, 400V, 415V, 50/60Hz 3PH

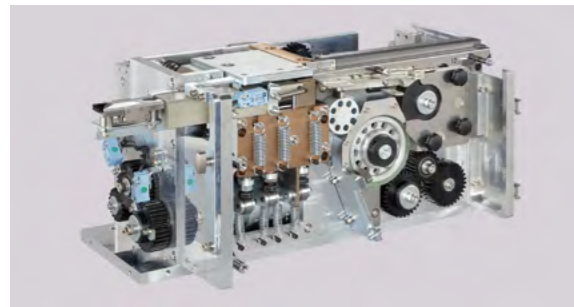
Castor III TP-733H

Fully Automatic Horizontal Pallet Strapping Machine

The enhanced TP-733H provides accurate strapping output on all natural-sized loads with consistent performance. It maximizes the productivity and minimizes the production cost for users. Designed for simple and quick connection to the master control system, TP-733H can easily fit in various end-of-line packaging sectors. It is your best choice for fully automatic operation in various applications, including palletized products, home appliance, bricks & blocks, etc.



Main Features



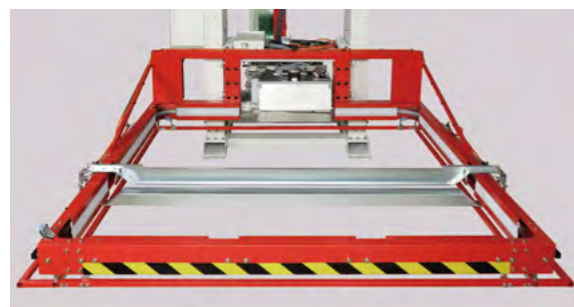
ARES TP-733-SH Strapping Head

Use the latest German-made DC brushless motor technology to provide the highest level of accuracy and reliability. Without belts and pulleys, its compact design greatly minimizes the numbers of moving parts and maintenance cost.



Index Strapping Head

The strapping head moves toward the package with stroke up to 300 mm during the strapping cycle. It provides the maximum strap containment efficiency to secure packages.



Strap Guide Arm

The guide arm helps to precise the strap position on the load.



Safety Rack

Underneath the arch to ensure the highest safety.

More Features

Friction Weld Sealing Technology

The advanced friction weld sealing technology guarantees reliable joint and high sealing efficiency for both PP and PET strapping. Tension force is up to 3200 N (320 kg). No fumes and odours. Ready to use once turned on.

Siemens PLC and HMI

The Siemens PLC and HMI provide easy adjustments, operation instructions, troubleshooting guides, and real-time sensor status display.

Free Access to Strap Guides

Quick access to the strap guides without using any tools. The most maintenance friendly design.

Swivel Dispenser Set

The dispenser set can be mounted freely at preferred positions. It provides more flexibility for plant configuration.

Adjustable Sealing and Cooling Time

The sealing time and cooling time are adjustable. It guarantees high sealing efficiency.

Strap End Ejector

Eject end of strap automatically from the inlet of strap feeding. Easy to clean the end of strap and get the machine ready for next coil of strap.

Preprogram setting

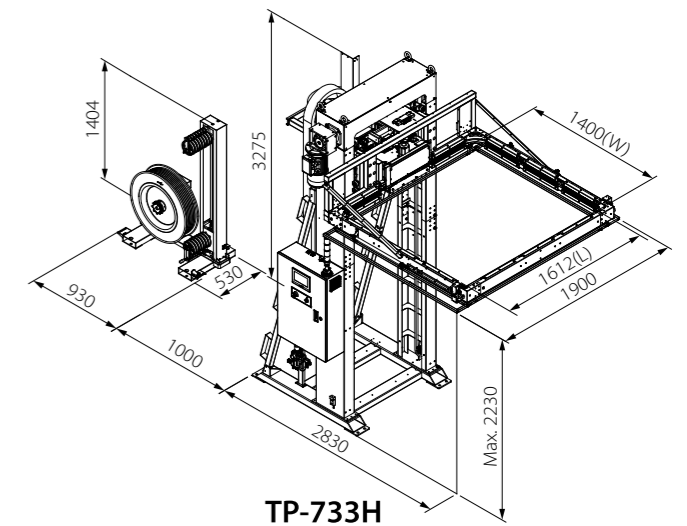
It can store 10 strapping patterns and each pattern is with up to 10 different strapping positions. There is no need to adjust the setting when changing to different package sizes. Reduce downtime and save cost.

Easy to Retrofit

The compact and advanced design makes it easily to retrofit a spare strapping head. It can greatly minimize downtime.

Options

- Floating head
- Free standing operation desk
- Light tower with low strap sensor
- Dual channel E-Stop
- Lower tension range (200 - 1200 N)
- HMI and PLC mounted on the opposite side
- Auto strap program selecting (BCD input)
- No safety rack
- 200 mm / 280 mm strap dispenser
- Uplifted support



Arch Sizes

L \ W	1400	1600
1450	Ⓢ	
1650		

Ⓢ Standard size: 1450 mm (L) x 1400 mm (W)

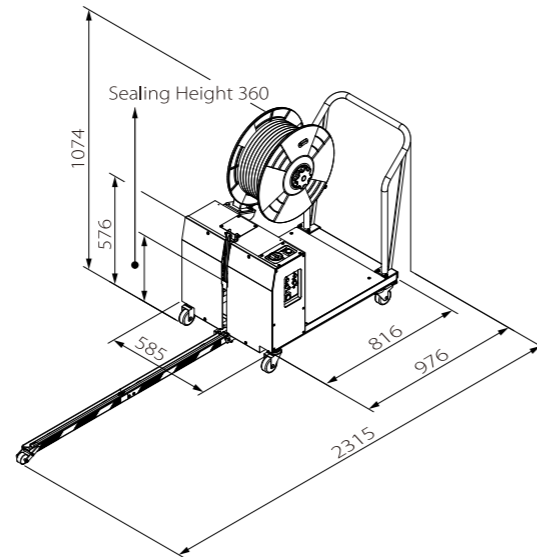
Technical Data

Capacity	Up to 60 pallets/hour (3 parallel straps)
Strap Type	PP and PET strapping
Strap Width	12 mm, 15.5 mm, or 19 mm
Tension Range	1,100 - 3,200 N (standard) 200 - 1,200 N (option)
Minimum Strapping Height	(a) With conveyor : 160 mm above conveyor surface (b) Without conveyor : 240 mm above floor
Maximum Package Height	2200 mm
Strap Core Size	406 mm
Pneumatic Source & Air Consumption	6 bar 7.1 liter/cycle
Electrical Requirements	220V, 380V, 400V, 415V 50/60Hz 3PH

Genesis Verti TP-502MV

Semi-Automatic Vertical Pallet Strapping Machine

TP-502MV inherits all of the advantages from Genesis TP-502, such as compact strapping head, direct drive technology with German-made DC motors, and electronic tension control. It eliminates the use of manual tools and dispensers, and can be moved easily beside the load you want to strap without moving the pallet. TP-502MV provides an ergonomic and cost-effective solution for low volume vertical pallet strapping applications.



Main Features

Compact Mechanical Strapping Head

With 30% less moving parts than conventional machines substantially reduces maintenance issues. There are no belts, chains, or pulleys. Extremely low noise sealing head.

Electronic Tension Control

Strap tension can be adjusted accurately by a simple turn of the dial on the control panel. Tension force is up to 700 N (70 kg).

Jog Switch

Using the "Jog switch" to adjust the machine to exactly the correct position for maintenance.

Adjustable Weld-Cooling Time

The weld cooling time can be increased to ensure high joint efficiency under high tension.

Mobility

With light weight and compact size, it is easy to move the machine beside the pallet you want to strap.

Various Applications

Suitable for corrugated cardboards, concrete blocks, and pallet loaded with cardboard boxes containing any type of products.

Option

- Battery power supply (TP-502MVB)

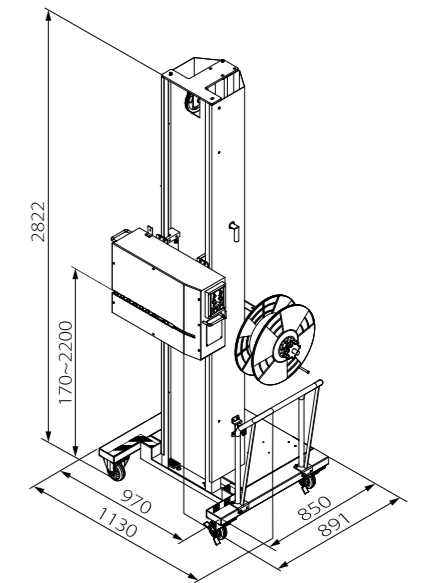
Technical Data

Strap Type	PP strapping
Strap Width	9 mm, 12 mm, or 15.5 mm
Tension Range	8 kg – 70 kg
Minimum Package Height	380 mm (Incl. pallet)
Length of the Sword	1250 mm
Weight	93 kg
Electrical Requirements	110V, 220V, 230V, 240V 50/60Hz 1PH

Genesis Hori TP-502MH

Semi-Automatic Horizontal Pallet Strapping Machine

TP-502MH inherits all of the advantages from Genesis TP-502, such as compact strapping head, direct drive technology with German-made DC motors, and electronic tension control. It can be positioned easily beside the load you want to strap without moving the pallet. TP-502MH provides a quick, ergonomic, and economical solution for low volume horizontal pallet strapping applications.



Main Features

Compact Mechanical Strapping Head

With 30% less moving parts than conventional machines substantially reduces maintenance issues. There are no belts, chains, or pulleys. Extremely low noise sealing head.

Electronic Tension Control

Strap tension can be adjusted accurately by a simple turn of the dial on the control panel. Tension force is up to 700 N (70 kg).

Jog Switch

Using the "Jog switch" to adjust the machine to exactly the correct position for maintenance.

Adjustable Weld-Cooling Time

The weld cooling time can be increased to ensure high joint efficiency under high tension.

Two Moving Direction

With simple adjustment, the machine can be moved either forward or sideward to approach the pallet.

Various Applications

Suitable for fruit & vegetable boxes, concrete blocks, and pallet loaded with cardboard boxes containing any type of products.

Options

- Edge protector holder
- Handle on the rear for back/forth movement
- Battery power supply (TP-502MHB)

Technical Data

Strap Type	PP strapping
Strap Width	9 mm, 12 mm, or 15.5 mm
Tension Range	8 kg – 70 kg
Strapping Height	min 170 mm max 2200 mm
Minimum Package Height	200 mm (Incl.pallet)
Weight	292 kg
Electrical Requirements	110V, 220V, 230V, 240V 50/60Hz 1PH

More Machines for Pallet Strapping

Tauris TP-601YPT

Side-Seal Machine for PP and PET Strapping

TP-601YPT is an automatic side-seal strapping machine for **PP and PET** strapping (9 mm, 12 mm, or 15.5 mm). With the extra-large arch sizes available, TP-601YPT is ideal for applications on large and/or heavy products, household appliances (like refrigerator, television, or washing machine), and various palletized products. It can be integrated into most production lines.

- Friction weld sealing technology
- Siemens PLC
- Electronic tension control
- Tension force up to **1500 N (150 kg)**
- Auto Strap Ejector
- Auto Strap Refeed



Helios H-45L

Battery Powered Strapping Tool

H-45L is a battery powered strapping tool with superior features and performance for **PET and heavy duty PP** strapping. It is one of the fastest battery powered tools on the market today and suitable for most of the strapping requirements in every application. Helios H-45L delivers the highest productivity and performance to meet the customer's packaging needs.

- Friction weld sealing technology
- For PP and PET strapping
- Tension force up to 250 kg
- Bosch battery and charger



Kronos H-46

Battery Powered Strapping Tool

H-46 is a world-class battery powered strapping tool. With flexible settings, wide tension range, and the ability to accommodate both **PET and heavy duty PP** strapping, Kronos H-46 is ideal for a wide range applications in all industries and sectors. It is equipped with German-made brushless DC motor to provide the highest level of accuracy and reliability.

- Friction weld sealing technology
- For PP and PET strapping
- Digital touch panel for easy operation
- Wide tension range from 40 kg to 400 kg
- Perfect balance and ergonomic design
- Bosch battery and charger



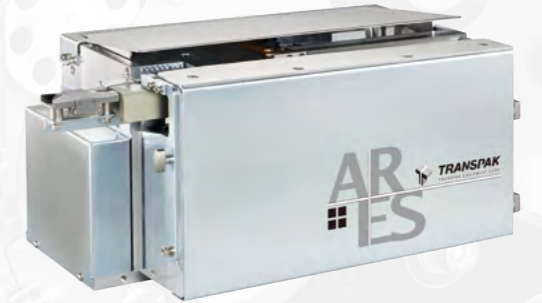
Strapping Heads

Ares TP-733-SH

Medium-Duty Strapping Head

TP-733-SH blends the latest DC brushless motor technology with human-centered design. All the transmission is driven directly by motors or through gears. The robust and compact design with advanced production process, fulfilling the need in a higher standard while keeping consistent Transpak quality. It offers the maximum value but costs the least.

- Reliable robust mechanism design and high engineering standard
- Friction weld sealing technology, no fumes and odours
- Tension force up to **3,200 N (320 kg)**
- Suitable for **PP and PET** strapping, width 12 mm, 15.5 mm, or 19 mm
- Easy to change to different strap width
- Free access to strap guides
- Easy to retrofit into new and existing pallet strapping machines



TP-601YPT-SH

Medium-Duty Strapping Head

TP-601YPT-SH is the strapping head designed for both PP and PET strapping. It is ideal for medium duty pallet strapping machines.

- Reliable robust mechanism design and high engineering standard
- Friction weld sealing technology, no fumes and odours
- Tension force up to **1,500 N (150 kg)**
- Suitable for **PP and PET** strapping, width 9 mm, 12 mm, or 15.5 mm

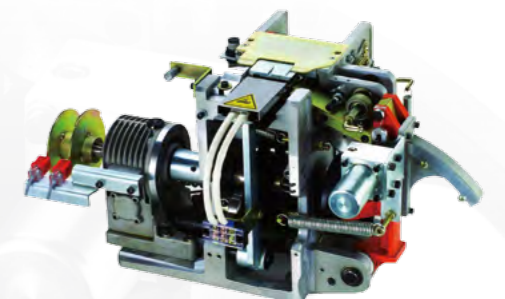


TP-601D-SH

Light-Duty Strapping Head

TP-601D-SH is the strapping head designed for PP strapping. It is ideal for light duty pallet strapping machines.

- Reliable mechanism design and high engineering standard
- Heat sealing
- Tension force up to **700 N (70 kg)**
- Suitable for **PP** strapping, width 9 mm or 12 mm



ZELOS TP-733VTS

Fully Automatic Top-Seal Pallet Strapping Machine

NEW

- Capacity up to 61 pallets per hour
- ARES TP-733-SH strapping head
- For 12 mm, 15.5 mm, or 19 mm PP and PET strapping
- Tension force up to 3,200 N (320 kg)



To be available during the 3rd quarter of 2020

What is Next ?

ATLAS TP-733VTSP

Fully automatic top-seal pallet strapping machine with 2.3 tons compression for corrugated, paper, and can & bottle industries